

3、特性曲线

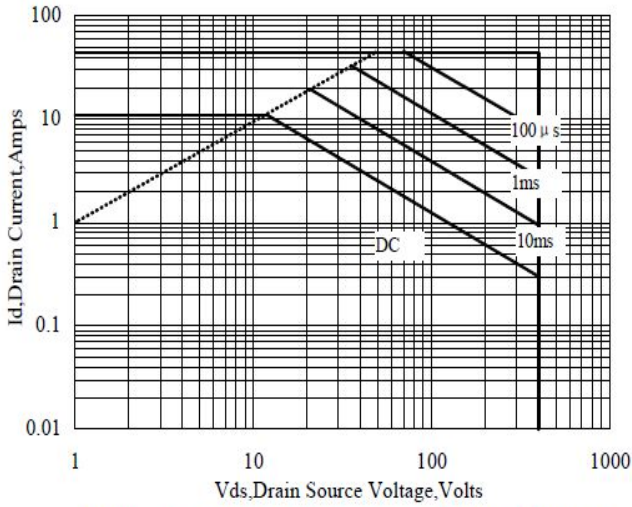


Figure 1 Maximum Forward Bias Safe Operating Area

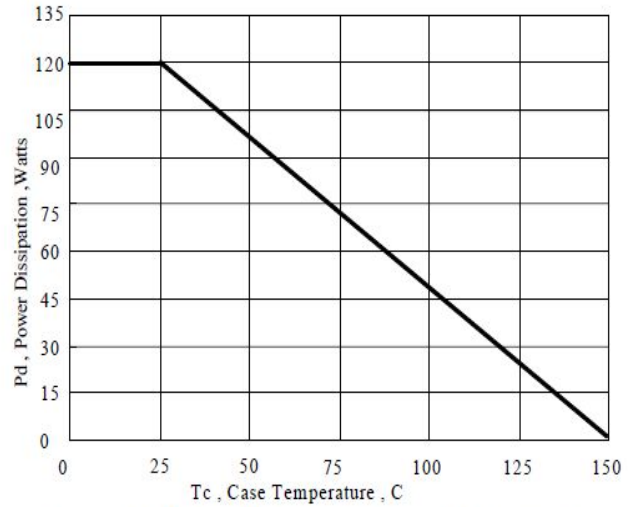


Figure 2 Maximum Power Dissipation vs Case Temperature

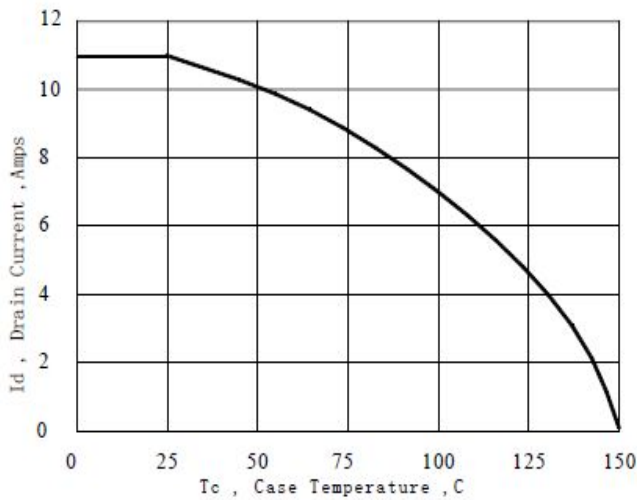


Figure 3 Maximum Continuous Drain Current vs Case Temperature

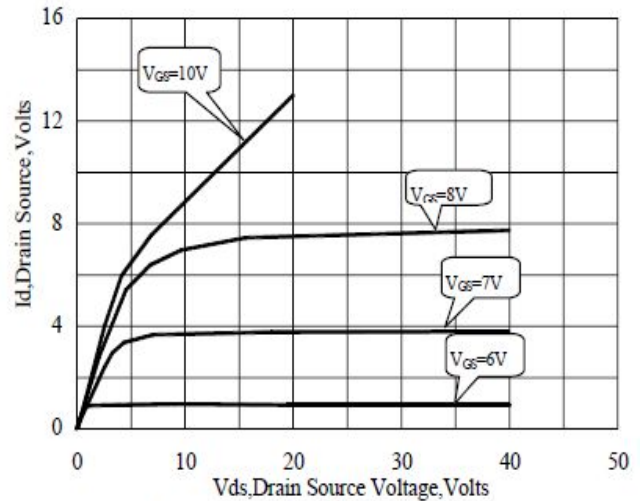


Figure 4 Typical Output Characteristics

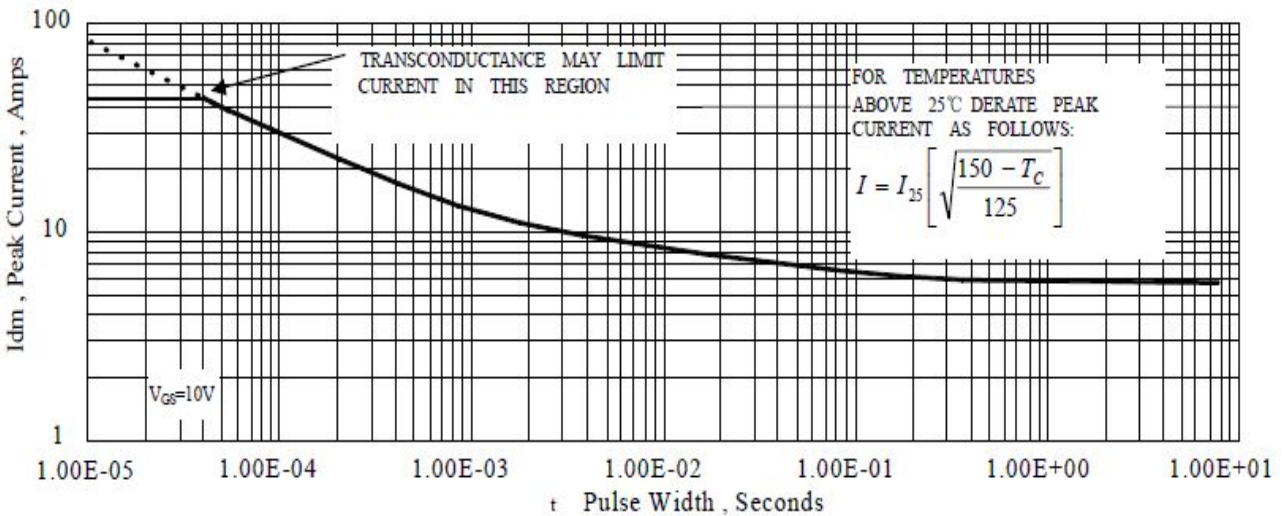


Figure 5 Maximum Peak Current Capability

3、特性曲线

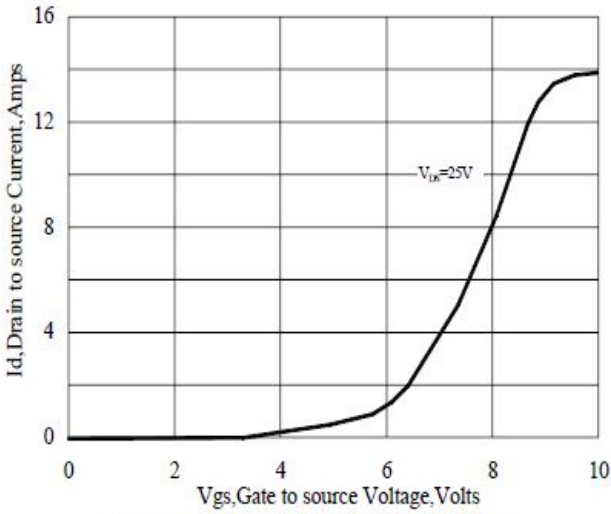


Figure 6 Typical Transfer Characteristics

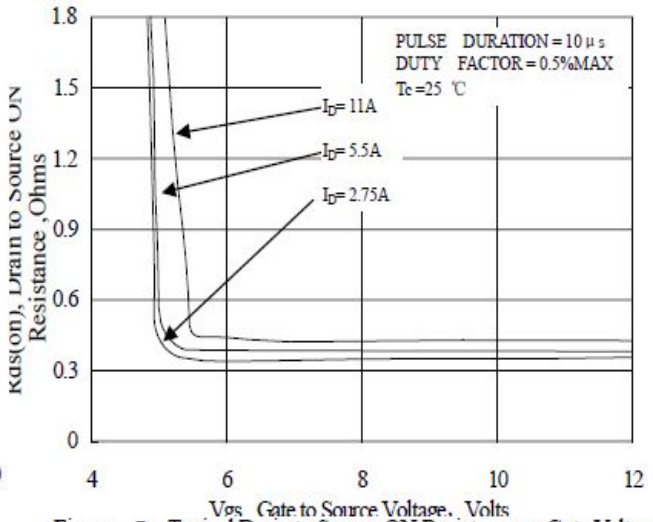


Figure 7 Typical Drain to Source ON Resistance vs Gate Voltage and Drain Current

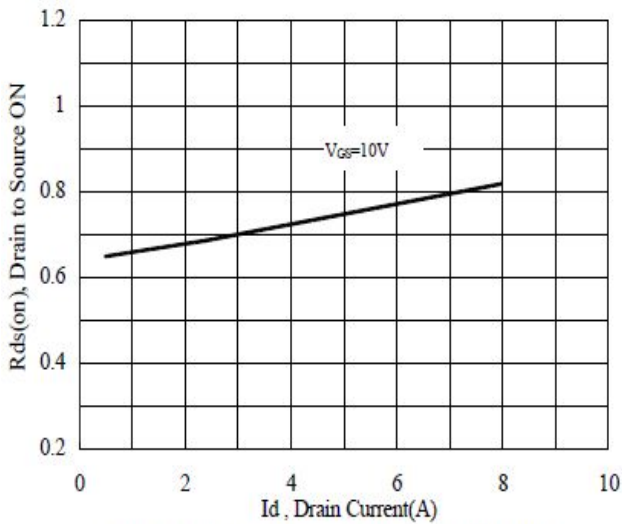


Figure 8 Typical Drain to Source ON Resistance vs Drain Current

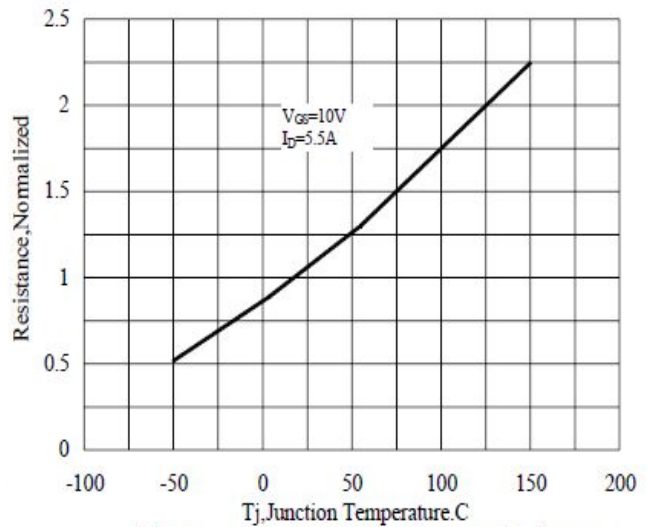


Figure 9 Typical Drain to Source ON Resistance vs Junction Temperature

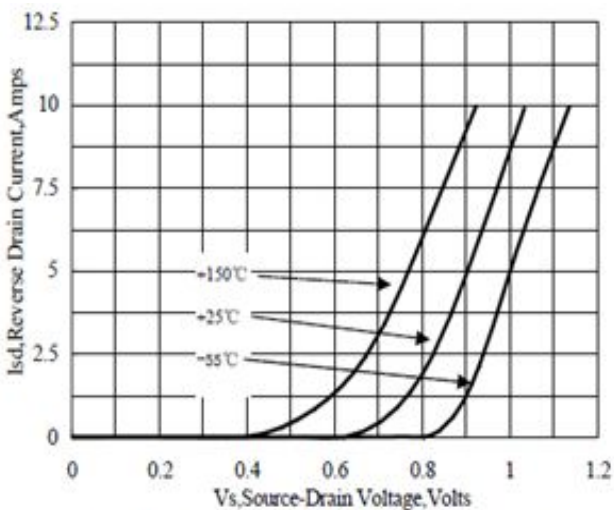


Figure 10 Typical Body Diode Transfer Characteristics

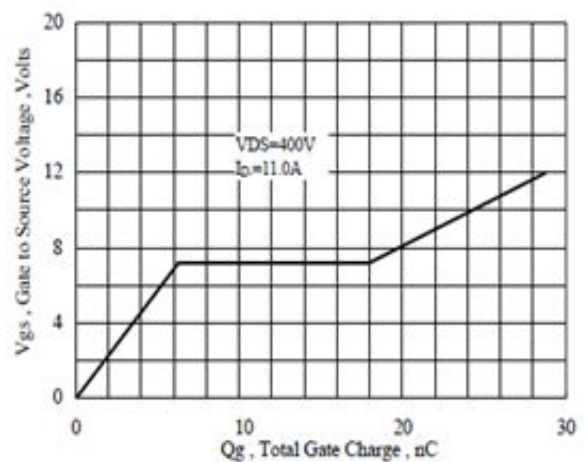
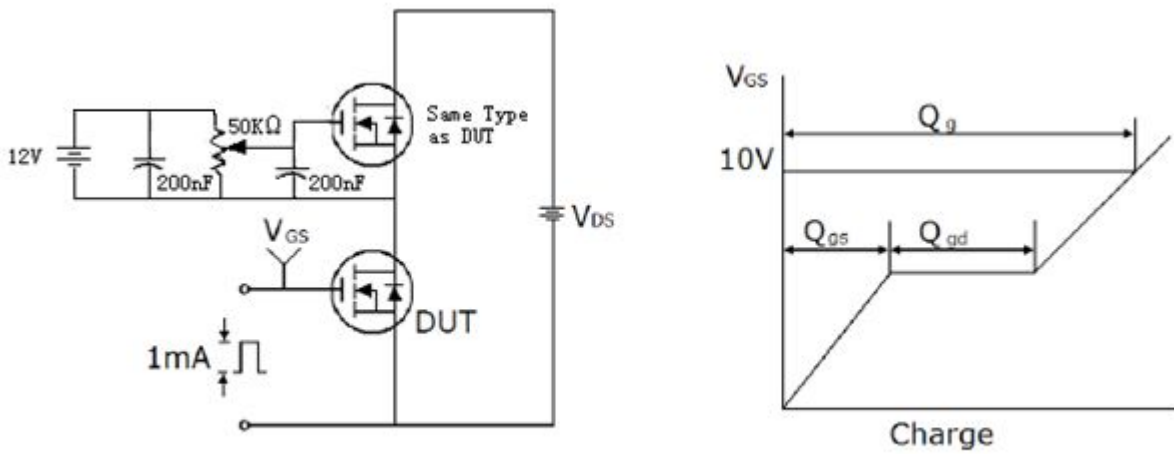
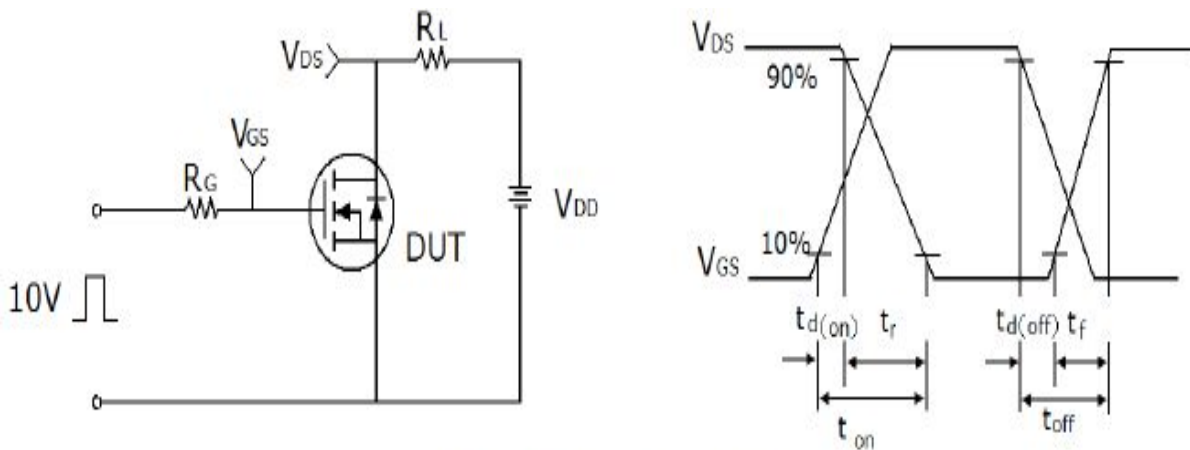


Figure 11 Typical Gate Charge vs Gate to Source Voltage

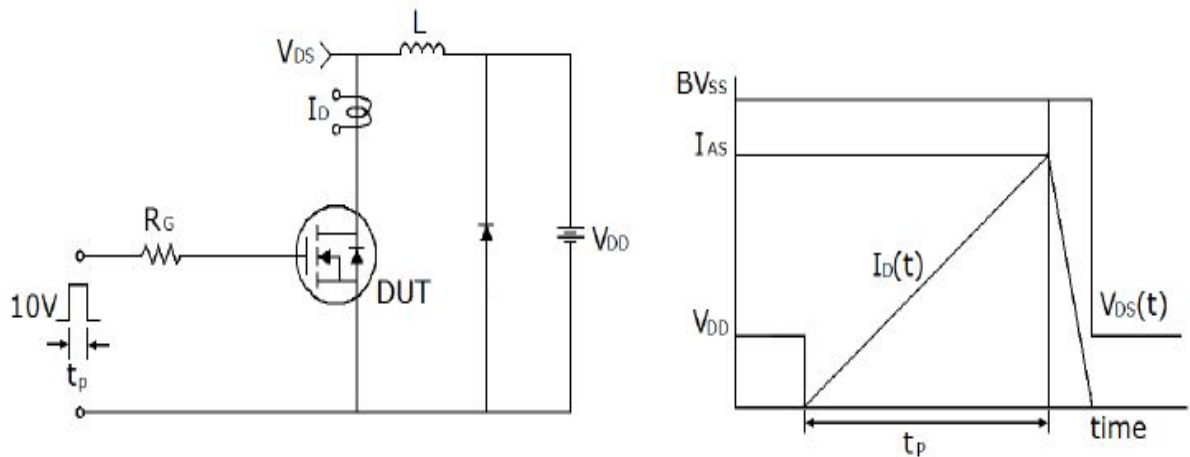
4、测试电路与波形图 (Test Circuit and Waveform)



1) Gate charge test circuit & Waveform

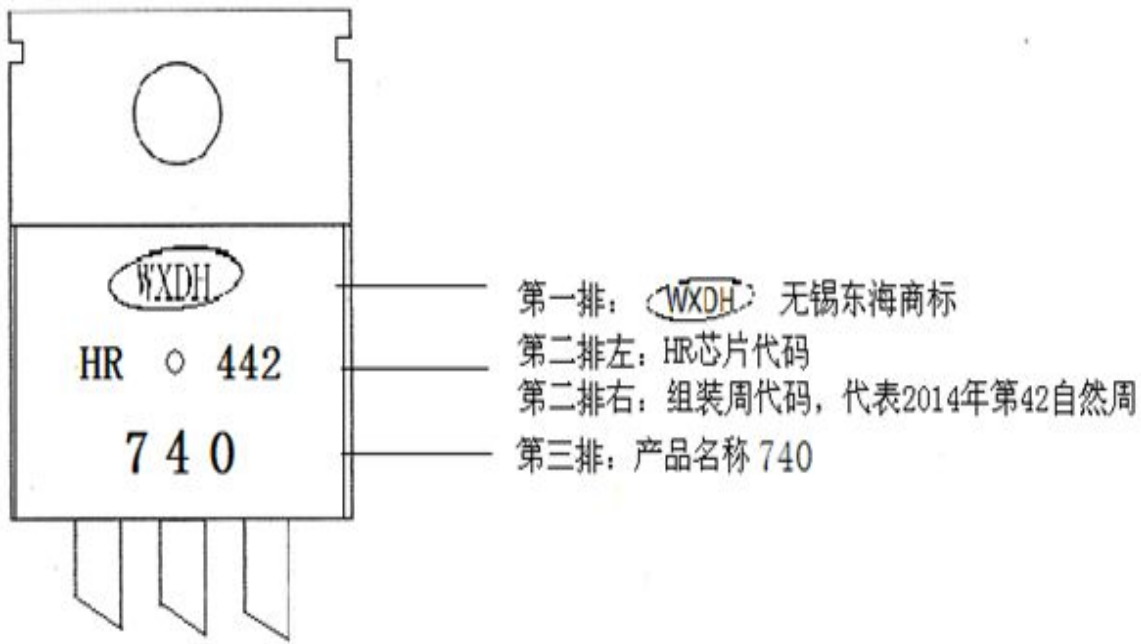


2) Switch Time Test Circuit:

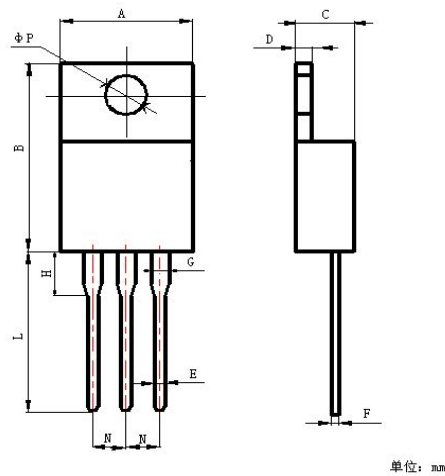


3) Unclamped Inductive Switching Test Circuit & Waveforms

5、产品印记



6、外形尺寸



项 目	规范(mm)	
	MIN	MAX
A	9.8	10.2
B	15.5	16.1
C	4.40	4.60
D	1.20	1.40
E	0.70	0.90
F	0.40	0.60
G	1.17	1.37
H	2.60	3.20
L	12.8	13.2
N	2.34	2.74
φ P	3.50	3.80